



VIRDI BROTHERS MACHINERY PRIVATE LIMITED

Manufacturer, Importer & Exporter Of 3/5/7 Ply Board
Making Plant & Corrugated Box Making Machinery





CORRUGATED CARDBOARD PRODUCTION LINE - 3 PLY / 5 PLY / 7 PLY

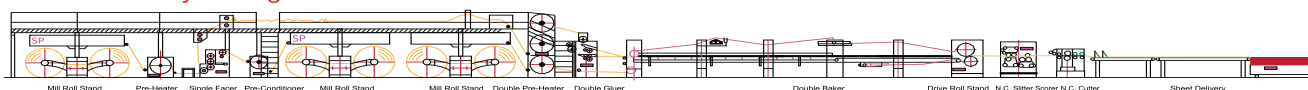
Working principle:

Tile line is the abbreviation of corrugated cardboard production line. It is a streamline line consisting of pressing, corrugating, gluing, bonding, grading, papermaking, and code output. Such as single corrugated paper production line is made of web frame, singlesided corrugated cardboard machine, composed of rotary paper cutting unit, using web material and potato or corn starch adhesive, single-sided corrugated board continuous production and cut into the required specifications, production of cardboard no longer dry or dry, and glue machine or laminating machine with the use of, can produce more than three layers of corrugated cardboard.

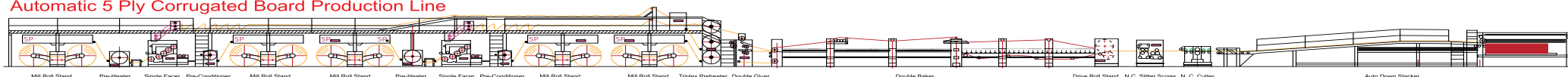


Size | 1400 mm | 1600 mm | 1800 mm |

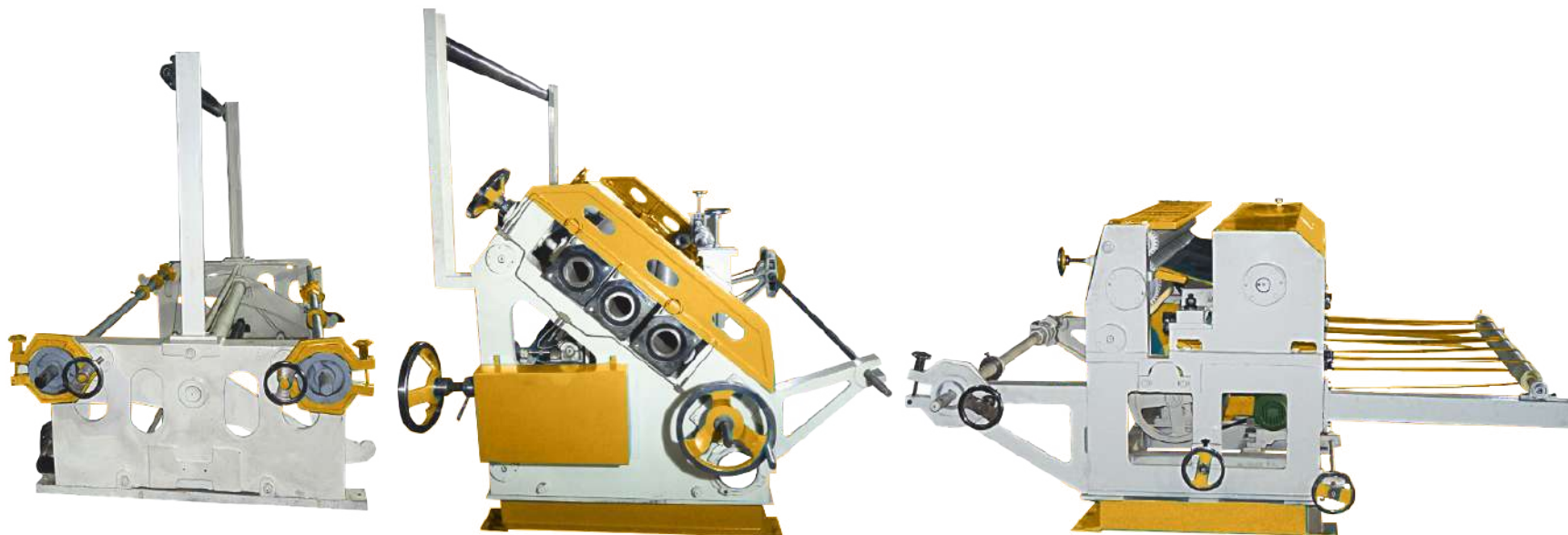
Automatic 3 Ply Corrugated Board Production Line



Automatic 5 Ply Corrugated Board Production Line



TWO PLY COMBINED PAPER CORRUGATING BOARD MAKING MACHINE, BEARING MOUNTED REEL STAND ATTACHED WITH SHEET CUTTER

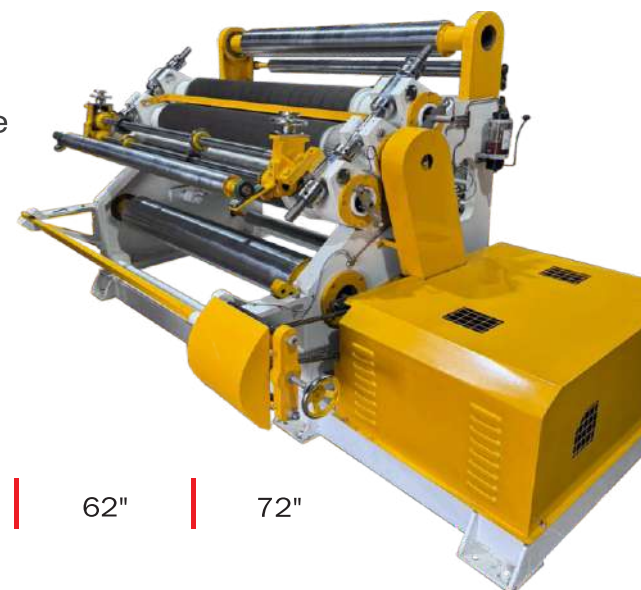


- The high-speed single facer ensures exceptional production rates and boosts operational efficiency.
- The rolls are mounted on precision roller bearings for smooth operation and extended durability. Flute rolls with fine finishing deliver impeccable flute formation.
- The machine includes a self-lifting reel stand for added convenience.
- A rotary sheet cutter is integrated with the machine to cut sheets to the desired sizes.

Size	52"	62"	75"
Power (H.P.)	5 H.P.	7.5 H.P.	10 H.P.

Finger Type Corrugation

- The VBM Indian Finger Type Corrugation High-performance corrugation with durable flute and pressure rolls-
- Hardened gears for efficient power transmission
- 5-inch center gearbox for optimized speed-
- Plated and ground gum rolls for even adhesive application
- Electric tube heaters and preheaters for precise temperature control
- Designed for high-speed, consistent production



Size | 52" | 62" | 72"



Size | 52" | 62" | 72"

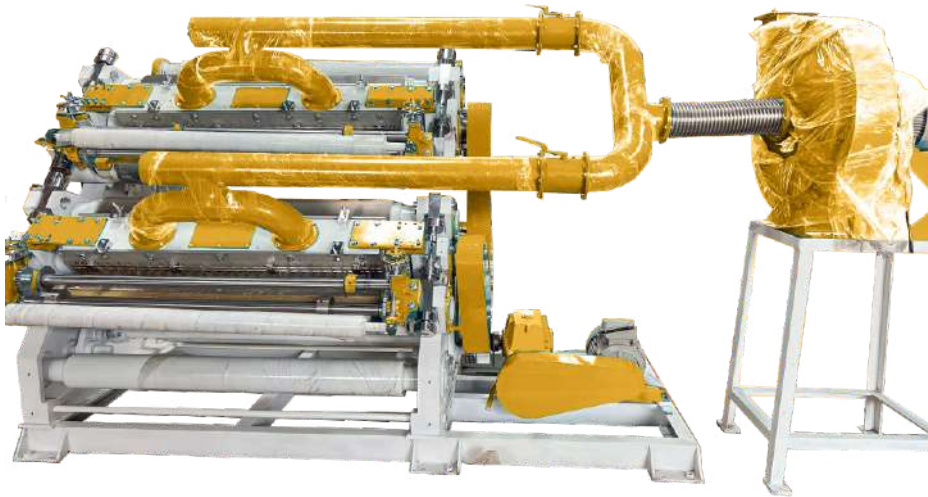
Fingerless Corrugation

- The VBM Indian Fingerless Type Corrugation Machine delivers precise and efficient corrugating operations.
- Utilizes durable flute rolls and pressure rolls for reliable performance and flexible corrugation profiles.
- Advanced grinding and gear systems for optimized speed
- Durable gum rolls for even adhesive application
- Electric heaters and pre-heaters for accurate temperature control
- Centralized oil lubrication system for reduced friction and extended lifespan
- Blower for efficient sheet processing and AC drive for adjustable speed control
- Self-loading hydraulic reel stand for easy reel handling, ideal for high-volume production

PRECISION

CRAFTSMANSHIP

RELIABILITY



Size | 52" | 62" | 72"

DOUBLE PROFILE FINGERLESS CORRUGATION MACHINE

- The VBM Indian Double Profile Fingerless Type Corrugation Machine is designed for high-performance corrugated board production.
- Durable forged flute and pressure rolls for precise operation
- Adjustable drive system for consistent performance
- Precision-ground gum rolls for smooth adhesive application
- Optimized gearbox for efficient speed
- Electric heaters and pre-heaters for temperature control
- High-performance motor with integrated blower for air circulation
- Centralized oil lubrication to reduce friction and wear
- Centralized gum rotation pump for efficient gum distribution

DOUBLE PROFILE INLINE CORRUGATION MACHINE

- The VBM Indian Double Profile Finger Type Corrugation Machine is
- Designed for robust and efficient board corrugation
- High-strength forged flute and pressure rolls for precision and durability
- Specialized gear system for optimized torque and speed
- AC drive for adjustable speed and controlled operation
- Ground and chrome-plated gum rolls for smooth adhesive application-
- Electric tube heaters and pre-heaters for optimal temperature control
- Centralized oil lubrication system for reduced friction and extended lifespan

Size | 52" | 62" | 72"



WITH
2 PRESSURE
ROLLS
2 GLUE TANKS &
ONE MOTOR



PROGRAMMING ROTARY SHEET CUTTER MACHINE WITH SLITTING ATTACHMENT

- The VBM Indian PLC Programming Sheet Cutting Machine is designed for efficient and precise cutting operations..
- Includes brakes, pulleys, robust shaft, and control panel for reel management
- Cuts rolled paper and single facer corrugated paper for continuous production
- Automated PLC programming reduces manual intervention-
- Ensures precise trimming and supports high production speeds
- Designed for high-performance corrugated board production.

Technical Specifications

Machine Size	Power Required	Floor Space (approx)	Machine Height	Gross Weight (kg Approx)
44"	2HP	80" x 120"	50"	1700
54"	2HP	90" x 120"	50"	1900
64"	3HP	100" x 120"	50"	2100

GEAR TYPE SHEET CUTTER

- The VBM Indian Gear Type Sheet Cutting Machine is optimized for cutting reels into sheets and processing 2-ply corrugated liners.
- Multiple gear wheels for adjustable cutting lengths
- Variable speed drive for efficient, adaptable operation
- Conveyor system for smooth sheet transportation
- Robust construction for heavy-duty industrial use.



Size | 44" | 54" | 64" | 74"

HIGH SPEED ROTARY SHEET CUTTER (P.I.V.)

- The VBM Indian PIV Gear Box Sheet Cutting Machine offers adjustable cutting speeds to meet diverse operational needs.
- Heavy-duty design for stability and durability
- Converts continuous reels into precise sheets with accurate trimming
- User-friendly controls for easy operation
- Versatile for packaging, printing, and manufacturing sectors



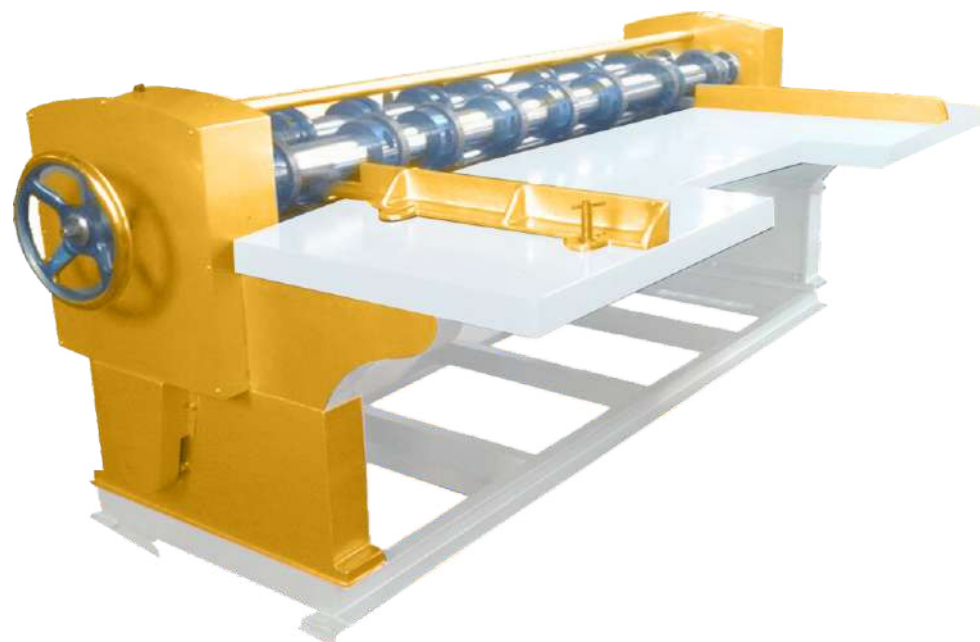
Size | 44" | 54" | 64" | 74"



SHEET PASTING MACHINE

- The VBM Indian Pasting Machine is designed for efficient and precise gum application on corrugated sheets.
- Three hard chrome-plated rollers for durability and smooth operation
- Branded electric motor and starter for reliable performance
- Stainless steel tray for easy gum maintenance and cleanliness
- Precise gum transfer accelerates drying and reduces impressions on the top liner
- Ground rollers ensure smooth, even gum application on 2-ply sheets for consistent quality

Size	75"	85"	95"	105"	115"	125"
Reqd. H.P.	1 H.P.	1 H.P.	1 H.P.	1 H.P.	2HP	2HP



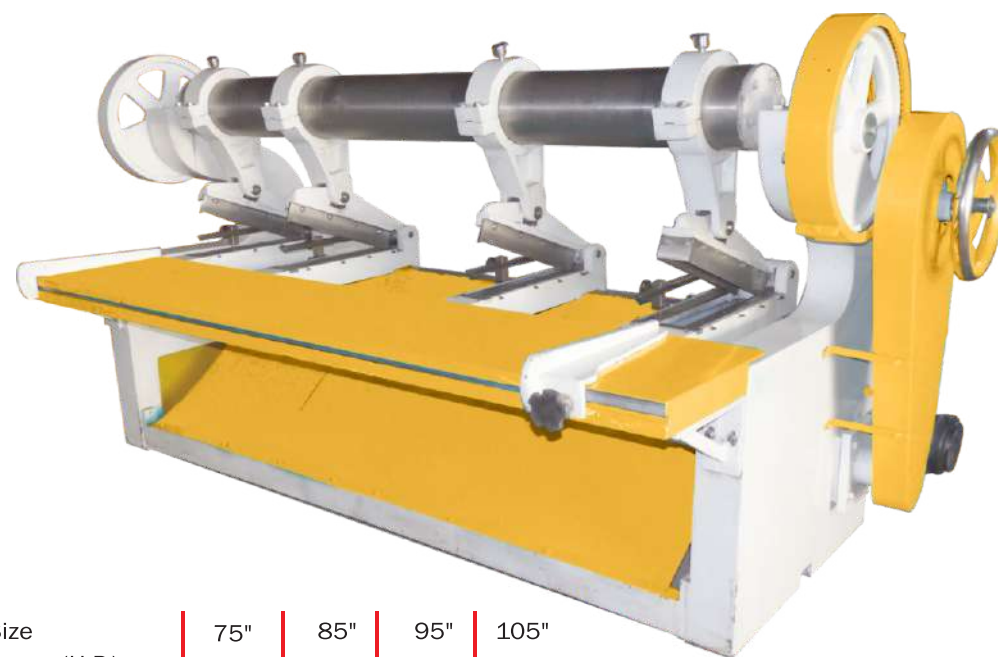
4 BAR ROTARY CREASING AND CUTTING MACHINE

- The VBM Indian 4 Bar Rotary Machine is designed for precise and efficient material processing.
- Four sets of creasing tools for accurate, uniform creasing
- Four sets of cutting tools for versatile shape and size cutting
- Strong, rigid body with heavy-duty M.S frame for durability and stability
- Minimal vibration for high-quality output and reliable performance

Size	75"	85"	95"	105"
Power (H.P.)	2 H.P.	3 H.P.	3 H.P.	3 H.P.

ECCENTRIC SLOTTER

- The VBM Indian Eccentric Slotter Machine is designed for versatile and efficient slotting operations.
- Performs three regular cuts and one corner cut for versatile slotting
- Smooth operation with a 2 H.P. motor for reliable performance
- Hard chrome rolls and nickel-plated parts for durability and corrosion resistance
- Motor cover for longevity and safety
- Zigzag knives for precise, clean cutting across various corrugated board applications



Size	75"	85"	95"	105"
Power (H.P.)	2 H.P.	3 H.P.	3 H.P.	5 H.P.

PRECISION

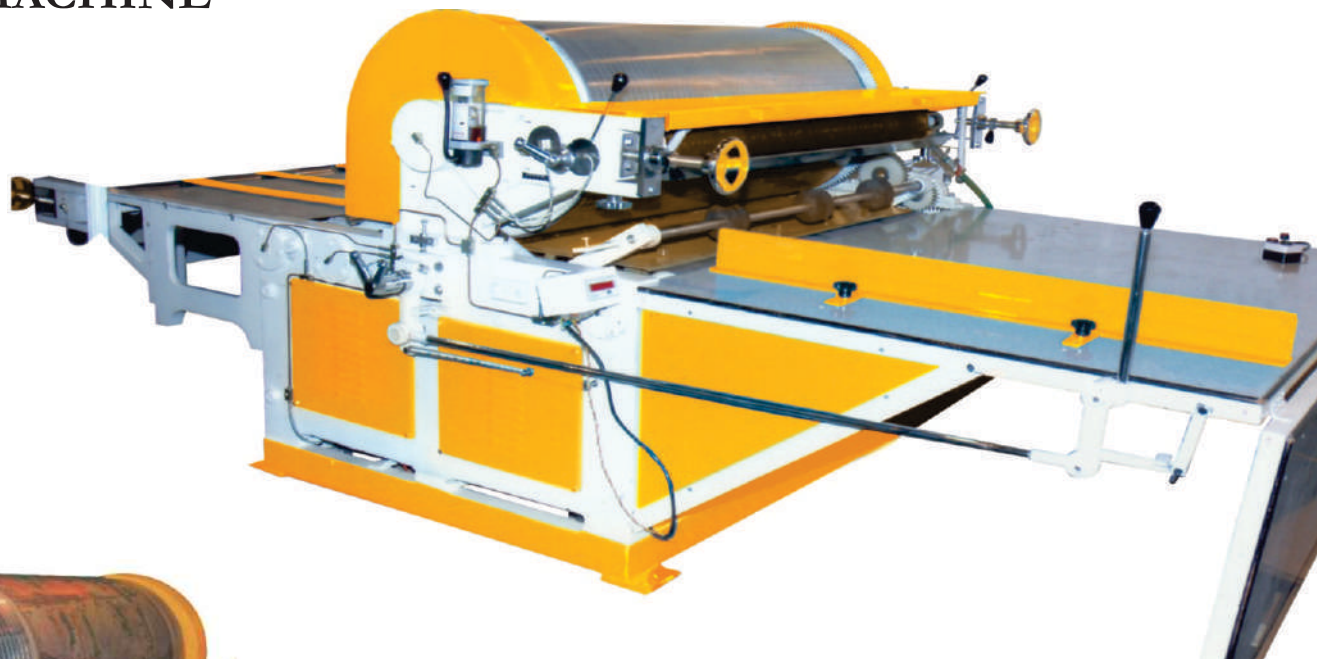
CRAFTSMANSHIP

RELIABILITY

DELUXE MODEL SINGLE / DOUBLE COLOUR FLEXO PRINTING MACHINE

Available Sizes:

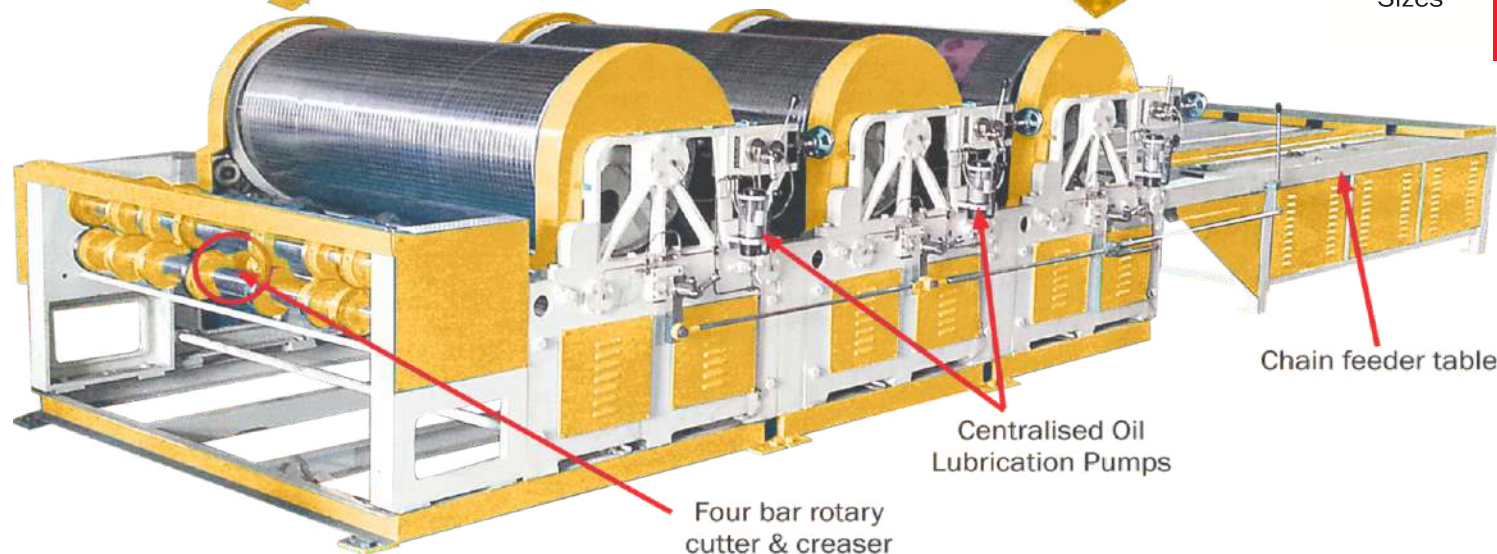
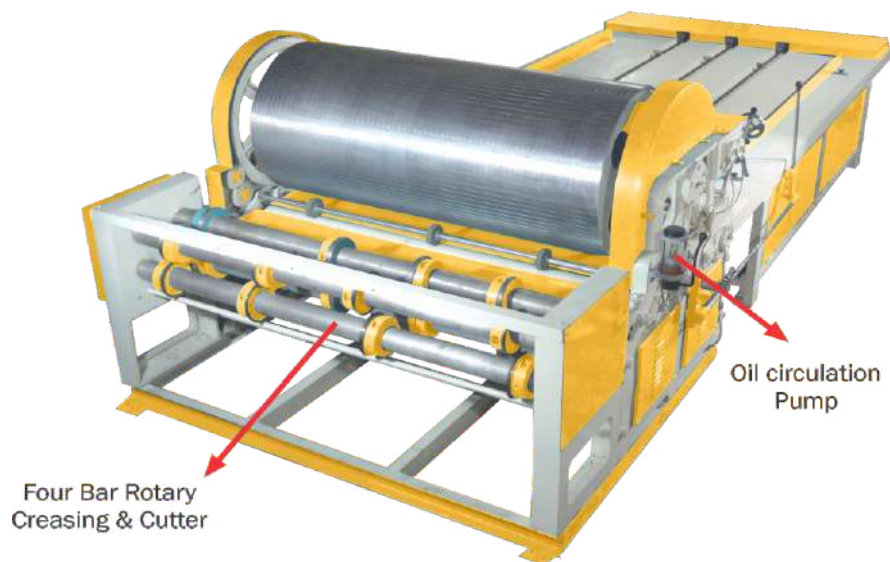
Machine	52" x 60"	52" x 72"
Sizes	52" x 90"	65" x 90"
	65" x 105"	65" x 130"



Ink circulation pump

- The VBM Indian Single/Two/Three Color Flexo Printing Machine is designed for precise and high-quality printing.
- Rubber roll for smooth ink application and anilox roll for controlled ink transfer
- Digital counter for accurate tracking of printed sheets
- S.S. ink tray for even ink distribution
- Hard chrome-plated big cylinder for durability and wear resistance
- ISI-standard motor for smooth transmission to printing components

SINGLE / DOUBLE / THREE COLOUR FLEXO BOARD PRINTER ATTACHED WITH 4 BAR ROTARY CUTTER & CREASER WITH CHAIN FEEDER



Available Sizes:

Machine	52" x 60"	52" x 72"
Sizes	52" x 90"	65" x 90"
	65" x 105"	65" x 130"

PRECISION

CRAFTSMANSHIP

RELIABILITY



SEMI AUTOMATIC FLAT BED DIECUT PUNCHING MACHINE

- The VBM Indian Flat Bed Die Punching Machine enhances operational efficiency and safety in die-cutting applications.
- Integrated safety mechanisms: emergency stop and reverse / forward switch
- Digital sheet counter for precise production tracking
- Performs scoring, slotting, and platen punching in one machine
- Compatible with standard dies for versatility
- User-friendly design for minimal training
- Robust construction with low maintenance costs

Available Sizes:

Machine Size	46" x 60"	52" x 80"	52" x 100"
	65" x 100"	75" x 140"	
	95" x 140 working area		

SEMI AUTOMATIC PLATEN PUNCHING MACHINE

- The VBM Indian Platen Punching Machine is engineered for precision and durability in die-cutting operations.
- Magnetic clutch for precise die-cutting engagement
- Sturdy steel chase plate for stable die mounting
- High-capacity motor for heavy-duty cutting
- Electric panel with auto sensor brake for safety
- Steel cast gears, high-quality bearings, and EN-9 forged shafts for durability
- Includes various gears, tools, and loading system for efficient operation

Machine Inner Size	Platen Outer Size	Strokes Max.	Power H.P.
25" x 37"	28" x 40"	1400	5 H.P.
33" x 43"	36" x 46"	1200	7.5 H.P.
37" x 53"	40" x 56"	1200	7.5 H.P.
43" x 63"	46" x 66"	1200	10 H.P.
53" x 73"	56" x 76"	1200	10 H.P.



SEMI AUTOMATIC HIGH SPEED BOX STITCHING MACHINE

- The VBM Indian Semi-Automatic Stitching Machine is designed for efficient and flexible carton stitching.
- Panasonic servo-driven system for precise stitching
- User-friendly touch screen for adjusting parameters
- Robust PLC control system and Siemens panel for stable operation
- Panasonic photoelectric sensor for accurate carton detection
- Adjustable pin distance for versatile stitching configurations
- Quick changeover for different carton sizes, minimizing downtime
- Automatic counting and feeding units with photoelectric sensors
- Stores up to 50 stitching settings for consistency
- Manual and automatic modes for operational flexibility



Single Stitching	Double Stitching	Tie Stitching
\	\\	\\
\	\\	\
\	\\	\
\	\\	\
\	\\	\\

INDIAN BOX STITCHER ANGULAR



PRECISION

IMPORTED MANUAL DOUBLE HEAD STITCHING MACHINE



RELIABILITY

CRAFTSMANSHIP

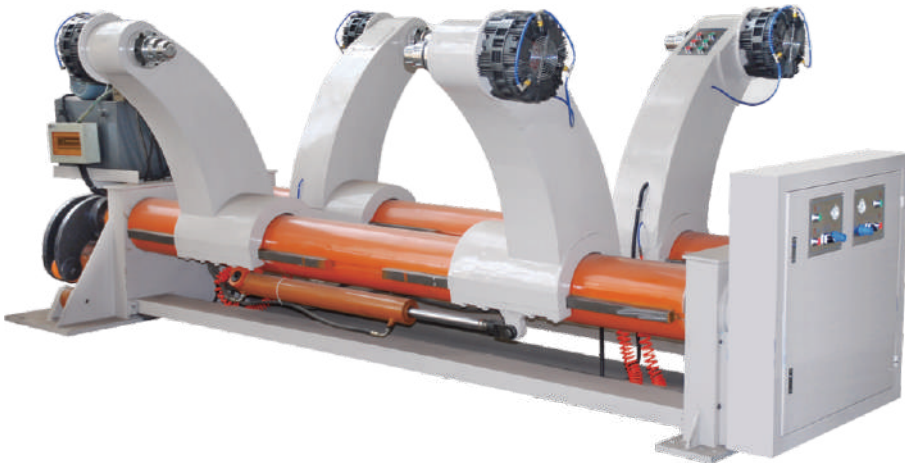
ELECTRICAL SHAFTLESS MILL REEL STAND

- Max width of reel paper 1200 mm - 2200 mm.
- Electric Operation Provides automated control for precise reel handling and positioning.
- Shaft-Less Design Eliminates the need for traditional shafts, reducing setup time and maintenance.
- Efficient Reel Loading Facilitates smooth and quick loading and unloading of reels.
- Robust Construction Built with durable materials for stability and long-term reliability.
- Adjustable Tension Control Allows for precise tension adjustments to suit various reel sizes and materials.
- User-Friendly Interface Equipped with intuitive controls for easy operation and adjustments.



HYDRAULIC SHAFTLESS MILL REEL STAND

- Max width of reel paper 1200 mm - 2200 mm.
- Hydraulic Operation Uses hydraulic power for smooth, precise reel handling and positioning.
- Shaft-Less Design Eliminates traditional shafts, making reel changes quicker and reducing maintenance needs.
- Heavy-Duty Reel Capacity Supports reels weighing up to 2 tons depending on the model.
- Efficient Loading and Unloading Facilitates easy and effortless reel handling, minimizing manual labor.
- Adjustable Tension Control Allows fine-tuning of tension to accommodate various reel sizes and materials.
- Durable Construction Constructed with high-strength materials for reliable performance and longevity.



FINGERLESS TYPE SINGLE FACER CORRUGATION MACHINE



- Effective width: 1400 mm - 2200 mm.
- Design Speed 120m/min 280 mm Model
Design Speed 150m/min 320 mm Model
- The Imported Fingerless Corrugation Machine operates at an efficient speed of 35 meters per minute.
- Robust design with 280 mm diameter flute roll and 300 mm pre-heater rolls
- 290 mm diameter pressure roll and dual-motor gum application tray
- Delta AC drive and control panel for seamless speed control
- Integrated blower for optimal operating conditions
- Drive reducer with immersion oil lubrication and cardan drive for minimal noise
- Pneumatic controls for flute, pressure, and glue rollers
- Vacuum suction for paper handling, with air conditioning for stability
- Corrugated roller made from durable 46 CrMo alloy steel for precision
- Electric glue application device
- Fingerless type single face Corrugation machine is available in both chain drive & vimble Drive models



CASSETTE TYPE CORRUGATION

- The Imported Fingerless Corrugation Machine is engineered for efficient and high-quality corrugated board production.
- Negative pressure design minimizes heat loss and ensures consistent glue application
- Quick roll changes in about 15 minutes with high-quality 48 Crmo alloy steel roller
- 370 mm diameter pressure roller with surface grinding, chrome treatment, and vertical adjustability
- 270 mm diameter adhesive roller with hard chromium coating and 30-line pit mesh
- Electrically adjustable glue system with separate glue separation device
- User-friendly PLC touch control system with color display for monitoring and adjustments

HIGH SPEED SQUARE BODY CORRUGATION

- The machine is designed for efficiency, precision, and ease of use.
- Suction hood with high-pressure blower and integrated silencer for effective material handling
- Centralized air source and electrical controls on a separate panel for safety
- Sturdy construction with thick cast iron base and wallboard
- Frequency conversion motor with independent gearbox and oil bath lubrication for precise speed control
- Corrugated rollers made from heat-treated 48 CrMo alloy steel and tungsten carbide for durability
- Pneumatic adjustment system for stable roller control
- Automatic glue supply with electronic control for precise width adjustment
- User-friendly touch screen control system with color display and easy parameter settings



AUTOMATIC NC CUTTER

- Automatic NC Cutter Designed for efficient and precise cutting of corrugated boxes.
- Computerized Control Provides accurate cutting with programmable settings.
- High Precision Ensures clean, accurate cuts with minimal material wastage.
- User-Friendly Interface Features a touch screen for easy operation and parameter adjustments.
- Versatile Cutting Accommodates various box sizes and shapes.
- Fast Setup Quick changeover for different cutting tasks with stored job settings.
- Reliable Performance Robust construction for durability and consistent operation.

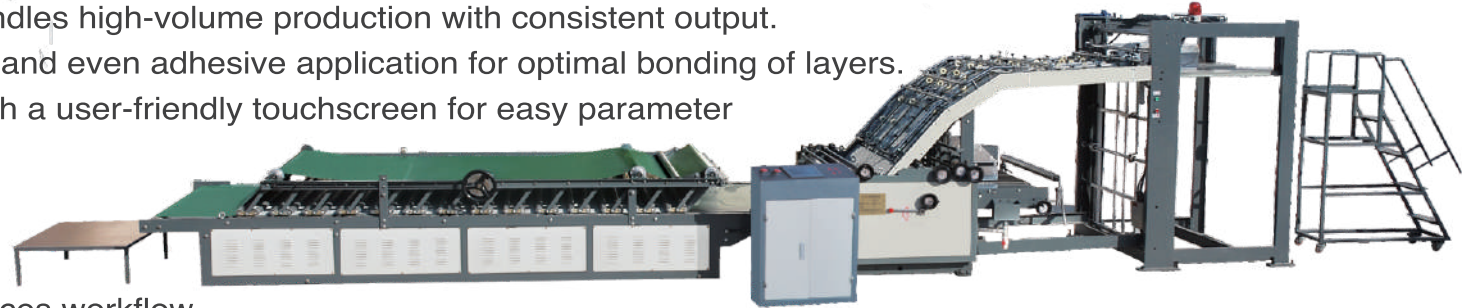


IMPORTED PROGRAMMING SHEET CUTTER

- The Imported Programming Sheet Cutter Machine is designed for high-precision cutting operations.
- Double knife system for enhanced cutting efficiency and accuracy
- Precision adjustable anti-backlash gear for consistent knife meshing
- Computerized synchronization for smooth production line integration
- Sun-wheel mechanism for smooth sheet handling and reduced wear
- Stores up to 99 orders for quick task retrieval
- Accommodates variable sheet lengths for flexible cutting
- Cutting precision of ± 1 mm for consistent quality and minimal waste

AUTOMATIC 3 PLY FLUTE LAMINATOR MACHINE

- Fully Automatic Operation Streamlines the lamination process for 3-ply fluted boards with minimal manual intervention.
- High-Speed Performance Efficiently handles high-volume production with consistent output.
- Precision Lamination Ensures accurate and even adhesive application for optimal bonding of layers.
- Advanced Control System Equipped with a user-friendly touchscreen for easy parameter adjustments and monitoring.
- Integrated Heating System Provides precise temperature control for effective adhesive curing.
- Automatic Feeding and Stacking Enhances workflow efficiency by automating material handling processes.
- Minimal Maintenance Designed for easy upkeep with accessible components and durable construction.



SEMI AUTOMATIC 3 PLY FLUTE LAMINATOR MACHINE

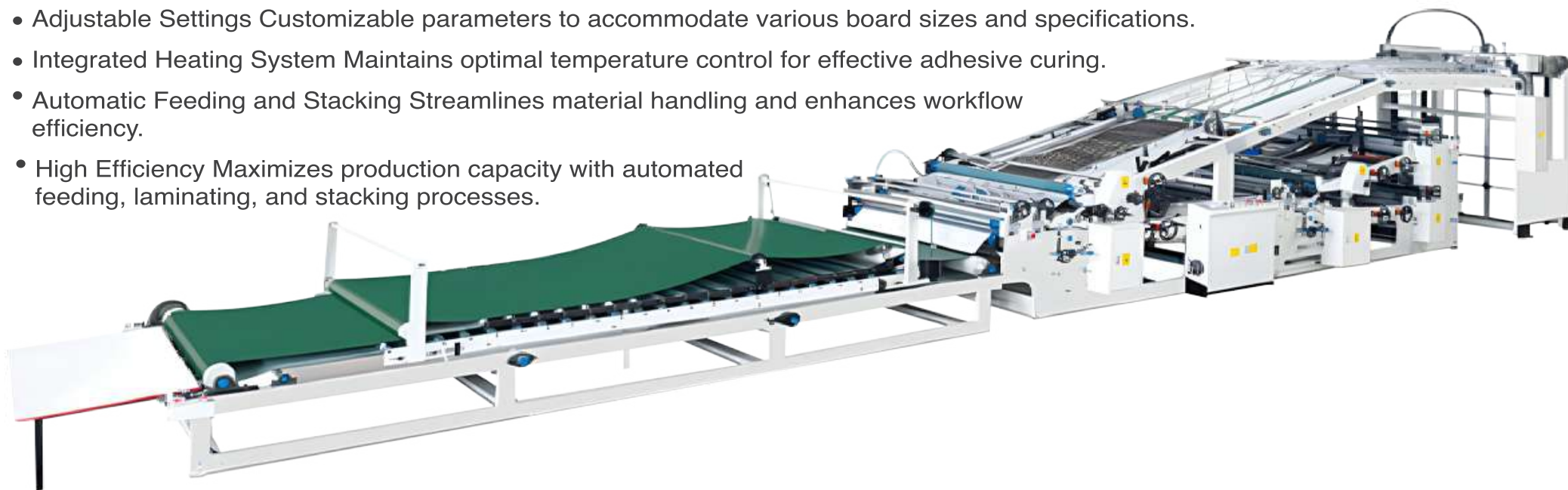
- Semi-Automatic Operation Combines manual loading with automated lamination for efficient processing of 3-ply fluted boards.
- Consistent Lamination Ensures reliable adhesive application for strong bonding between layers.
- User-Friendly Controls Features a straightforward control panel for easy operation and adjustment of settings.
- Adjustable Parameters Allows for customization of lamination settings to suit different board sizes and specifications.
- Manual Feeding Requires operator input for loading materials, complemented by automatic lamination and stacking.



- Efficient Processing Balances automation with manual tasks to enhance production efficiency and reduce labor.

AUTOMATIC 5 PLY FLUTE LAMINATOR MACHINE

- Fully Automatic Operation Automates the entire lamination process for 5-ply fluted boards, reducing manual intervention.
- High-Speed Production Capable of handling high-volume outputs with consistent efficiency.
- Advanced Control System Features a user-friendly touchscreen interface for precise parameter adjustments and real-time monitoring.
- Adjustable Settings Customizable parameters to accommodate various board sizes and specifications.
- Integrated Heating System Maintains optimal temperature control for effective adhesive curing.
- Automatic Feeding and Stacking Streamlines material handling and enhances workflow efficiency.
- High Efficiency Maximizes production capacity with automated feeding, laminating, and stacking processes.



- Enhanced Precision Advanced sensors and controls ensure accurate alignment and lamination of 5-ply boards.
- Versatile Application Accommodates various board sizes and thicknesses, providing flexibility for different production needs.
- User-Friendly Interface Touchscreen control panel simplifies operation, setup, and monitoring.
- Automatic Glue System Regulates adhesive application and ensures consistent coverage across all layers.
- Energy-Efficient Designed to optimize power consumption while maintaining high performance.
- Safety Features Includes safeguards and alarms to ensure safe operation and prevent mishaps.

THIN BLADE SCORING SLITTER MACHINE

- Thin Blade Technology Utilizes precision tungsten blades for accurate slitting and scoring of corrugated boxes.
- Adjustable Settings Allows for customization of blade depth and scoring width to fit various box sizes and materials.
- Manual or Semi-Automatic Operation Offers flexibility in operation, suited for different production needs.
- High Precision Ensures clean cuts and consistent scores, minimizing waste and enhancing box quality
- User-Friendly Design Simple controls for easy operation and quick adjustments.
- Tungsten Blades High-quality tungsten blades provide exceptional durability and long-lasting sharpness.



ELECTRIC MOVEMENT THIN BLADE SCORING SLITTER MACHINE

- Electric Operation Efficiently powers splitting and scoring with consistent performance.
- Thin Blade Technology Utilizes sharp, precision blades for accurate slitting and scoring of corrugated boxes.
- Adjustable Settings Customizable blade depth and scoring width to accommodate different box sizes and material thicknesses.
- User-Friendly Interface Features an intuitive control panel for easy operation and precise adjustments.
- High Precision Delivers clean cuts and accurate scores, minimizing waste and ensuring quality.
- Robust Build Constructed with durable materials for reliable, long-lasting performance.

CHAIN FEEDING COMBINE CREASING AND SLOTTING MACHINE (R.S.4)

- This new and synthetically equipment can finish auto slotting corner-slicing, line-rolling paper dividing at one
- Chain Feeding Table: Provides stable and consistent sheet feeding for high-speed production.
- Adopts exported cambered saw-tooth knife making die-cutting surface smooth and without burr.
- The gap between the cushion roll and the knife mould roll is adjusted by hand pneumatic adjusting the soft roll to go up and down.
- The cushion roll adopts mechanical cam path longitudinal moving (40 mm) structure.
- The whole machine adopts Oldham coupling structure and oil-spraying lubrication with steady dire and prolonged gear service life.



CHAIN FEEDING ROTARY DIE-CUTTING MACHINE



- Precision Die Cutting: Ensures accurate and clean die cuts for various box designs.
- Whole machine adopts chain feeding system.
- Roll adopts high quality steel, balance and hard chrome plated.
- Softcoat automatic repair structure, could be repair 3-4 times, improve rubbermat work-life.
- Whole machine adopts electric, pneumatic, hydraulic part combination control, safe and high active, could be slit, cutting corner and creasing, one time for finish box.
- Die-cutting plate phase adopts planetary gear structure, 360 degree electric adjustment (running and stop all could be digit control)

FLEXO PRINTER SLOTTER MACHINE / ROTARY DIE CUTTER MACHINE



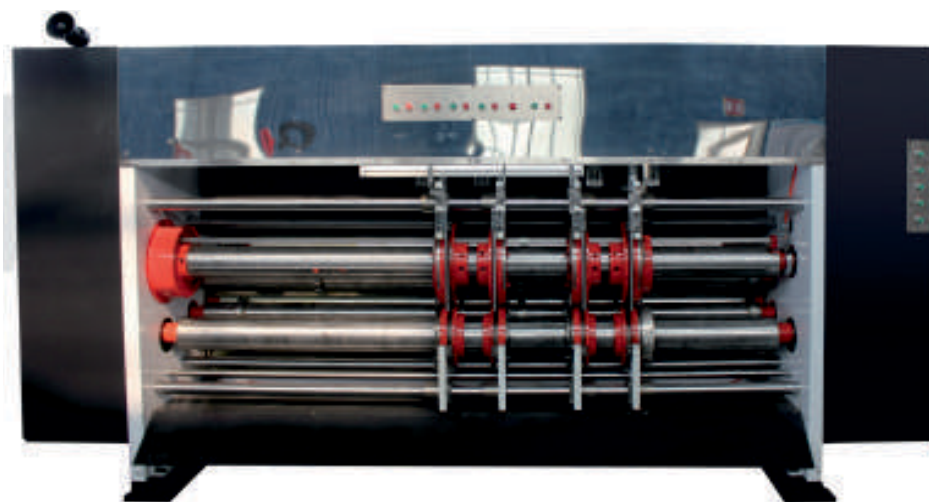
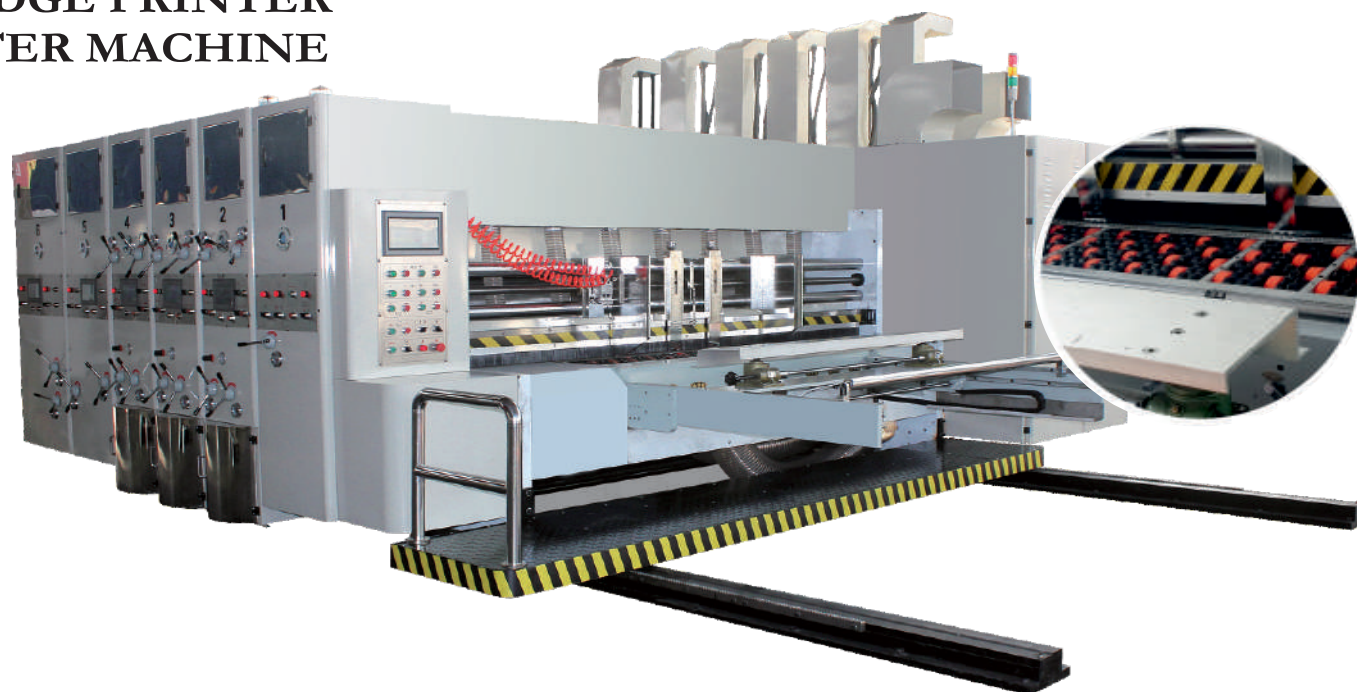
- New design of making and electricity into the whole
- With high precision of process printing, the error chromatic printing is little and easy operation.
- Separation by electricity and pneumatic locking up, pneumatic raising plate and auto adjusting ink.
- Printing phase and slotting phase with 360° phase with hand adjustment.
- Auto lubrication of the areas with oil.
- Four knives adjustment, with length, width adjustment upper and lower knife stand, pressing line, cutting knife ruler, pressing paper pole which have united movement by hand , saving order changing time.



Model	Max.paper feeding size	Effective printing size	The thickness of the plate	Min.paper feeding size	Speed	Dia.
2400	2200×1250mm	2100×1250mm	4-7mm	320×600mm	60	405
2600	2400×1250mm	2300×1250mm	4-7mm	320×600mm	60	405
2600	2400×1470mm	2300×1470mm	4-7mm	350×600mm	60	480
2800	2600×1470mm	2500×1470mm	4-7mm	350×600mm	60	480
2800	2600×1600mm	2500×1600mm	4-7mm	400×600mm	60	530
3000	2800×1600mm	2700×1600mm	4-7mm	400×600mm	60	530

ECONOMICAL SPEED LEADEDGE PRINTER SLOTTER / ROTARY DIE CUTTER MACHINE

- Four Axis Lead edge Feeder System.
- Skip Feeding Setting Available, Can produce Large Size Boxes.
- Apply Expansion Sets Tight Links, Long years Using with precise printing.
- Colorful Touch screen Input, Auto "Zero", reposition, Save Time and Boards.
- Powerful Main Pneumatic Cylinder Lock, make sure machine stable running.
- Self-Protection system, Machine only running after all sections locked well.
- Storage with 1200orders data base.



PRECISION



CRAFTSMANSHIP

RELIABILITY



HIGH SPEED LEADEDGE PRINTER SLOTTER / ROTARY DIE CUTTER MACHINE

- Designed according the high requested and the reliable function, the operation of the machine is humanization, can accomplish the setting, revision, Implement, function in a shot time, and display with a exact data.
- Adopting advanced vacuum absorb lead edge feeding system, with stable high speed, easy operation and high accuracy.
- All the drives rollers adopted high quality steel materials, hard chromium plating and the surface treated by lapping finish the drive gears adopt high quality alloy steel, after heat treatment and lapping finish.
- The main driveroller adopt keyless connect, decrease the connection gap, guarantee the printing precision
- Self-locking device. when working, the machine be locked up otherwise. It can not start at the beginning • enhance the security in working time.
- Auto-zero device ensuring uniform adjusted of the machine and decrease waste.
- Suitable for 3/5/7 layer corrugated paperboard, as well e flute paperboard.

Project	920	924	1224	1228	1426	1628
Max.speed(pcs/min)	300	260	250	200	180	150
Feeding precision(mm)	± 1					
Min. sheet size(mm)	300×500		340×600		420×600	
Max. sheet size(mm)	860×2000	860×2400	1150×2400	1150×2800	1350×2600	1500×2800
Skip sheet size(mm)	1200×2000	1200×2400	1500×2400	1500×2800	1800×2600	2000×2800
Max. printing area(mm)	900×2000	900×2400	1200×2400	1200×2800	1400×2600	1600×2800
Printing precision(mm)	±0.5					
Plate thickness(mm)	7					
正刀 positive knife(mm)	130×130×60		140×140×65		170×170×70	
反刀 negative knife(mm)	230×65×60		250×70×70		260×75×70	
Max. slot depth (mm)	230		310		370	410
	increase the blade, increase the slot depth					
Slotting precision(mm)	±1					
Max. die cutting size(mm)	900×2000	900×2400	1200×2400	1200×2800	1400×2600	1600×2800
Die cutting precision(mm)	±1					



STACKING MACHINE



AUTO FEEDER



VIBRATOR STACKING MACHINE



PARTITION SLOTTER WITH STACKER

PRECISION

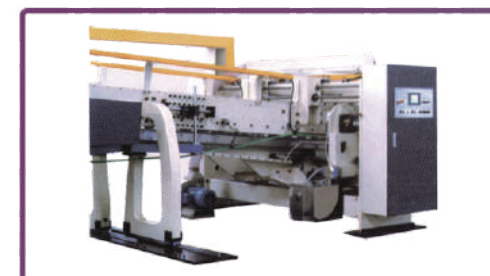
CRAFTSMANSHIP

RELIABILITY

AUTOMATIC HIGH SPEED PRINTER SLOTTER ROTARY DIE CUTTER WITH AUTOMATIC FOLDER GLUER LINE



- Advanced adsorption front feeding system, simple operation, high precision. 7" true color touch screen can be installed to pre-set 200 orders, order inquiry, zero order input, machine synchronous reset to zero, phase automatic/manual adjustment, machine parameter management, lifting plate uniform manual/automatic control, automatic display of production quantity and production speed and set production quantity.
- All rolls are made of high quality steel, plated with hard chrome, and surface lapping. The rotating gear is made of high quality alloy steel, after heat treatment and grinding.* Clearance adjustment adopts high precision turbine box self-locking adjustment, and is equipped with three-rod disc handle seat, convenient and quick.
The grooving part adopts electric control to adjust the axial, longitudinal and box height dimensions of each tool holder.
- Die - cutting speed compensation system, CAM - type soft roller transverse swimming 40mm, rubber pad wear uniform, improve the use of rubber pad, reduce the use cost.
- The use of the down - insert type of paper out, not because of the cardboard or no adhesion and collapse, so as to improve the stability of the equipment paper out, to ensure the quality of the adhesive box.
- PLC program control, according to the input order parameters automatically adjust.
- The equipment has a secondary indentation and a right Angle finishing mechanism, which has stable and reliable performance and can perfectly control the gap size after folding.



- The down-folding gluing machine adopts down-inserting type paper outlet, which will not collapse because of the cardboard or no adhesion, thus improving the stability of the equipment paper outlet and ensuring the quality of the gluing box.
- PLC program control, according to the input order parameters automatically adjust.
- The equipment has a secondary indentation and a right Angle finishing mechanism, which has stable and reliable performance and can perfectly control the gap size after folding.
- The right Angle finishing mechanism of the equipment is driven by a separate motor, which ensures the purity of the power and stable and reliable operation.
- Our secondary pressure line and right Angle finishing mechanism, also can control the adhesive gap, the size of the gap can be adjusted arbitrarily.
- Second arrangement of the mechanism, can completely solve the scissors. The stacking counting position is provided with a secondary arrangement mechanism.
- The equipment has a secondary indentation and a right Angle finishing mechanism, which has stable and reliable performance and can perfectly control the gap size after folding.



PRESSING TYPE SEMI-AUTOMATIC BOX GLUING MACHINE

- Efficient & Precise Advanced processing and high-quality steel.
- High Speed 40-60 sheets per minute.
- Digital Counter Improves operation and efficiency.
- Stainless Steel Rust and corrosion-resistant.
- Adhesive Versatility Supports various adhesives.
- Customizable Pasting Wheels Optional models for different needs
- Conveyor Belt System Gentle handling, prevents damage
- Consistent Quality Ensures uniform gluing standards.

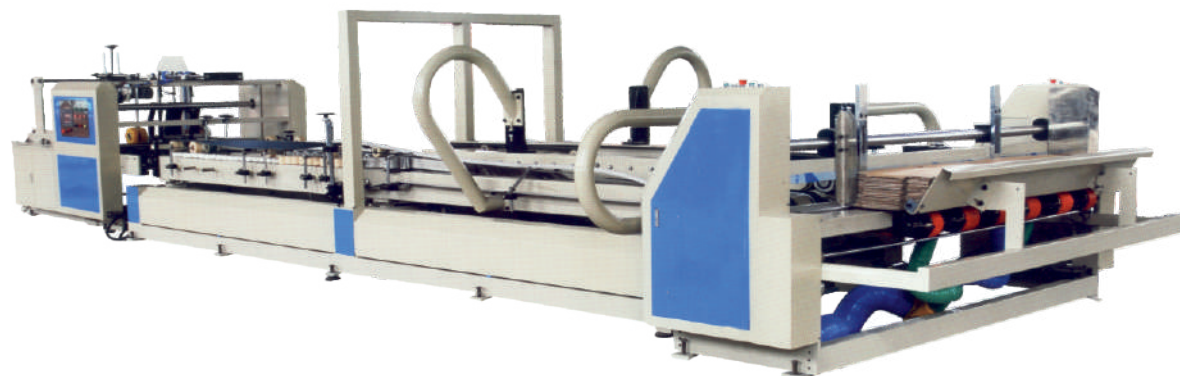
SEMI-AUTOMATIC FOLDER GLUER

- High Speed 40-60 sheets per minute.
- Semi-auto gluer compose of main form and two small conveyer. Main form including: Form, up and down working table. Forepart feeding section, forepart proofread section, middle transportation section. middle press section, side carton delivery section, electric control system.
- This machine adopt name brand import electric spare parts, siemens electric, omron photoelectricity switch, Japan Tokyo counter Taiwan MINGWEI electric power supply Gluer head adopt special alloy material, anti-acidity and anti-alkalescence, to keeping the gluer head for long life. Main motors adopt Taiwan Chengpang motor.



AUTOMATIC FOLDER GLUER MACHINE

- Automatic folder gluer machine consists of three sections: vacuum feeding section, glue and Folding section, counter and stacker section
- Frequency conversion motor with quality inverter adjust speed.
- PLC and Touch Screen control system for easy operation and running stable.
- Average Speed 150 sheets/min.
- Energy Conservation & High Speed, saving Labor cost.



AUTOMATIC BOX STICHING MACHINE

- The machine full computer control, easy operation, simple; can be stored 1000 orders.
- 3-5 minutes to shift the size, simple and quick.
 - The paper feeding part adopts front belt feeding to ensure that the cartons are not skewed. Feed has side flapping device enables the sending paper neatly smooth.
 - The paper feeding part adopts the servo motor to control, to ensure stable and accurate nail pitch.
 - This machine is designed with box shaping functions, ensure the scissors will not appear in the stitching.
 - The machine can do single, double nails, strengthening the nail, completed at a time.
 - The machine can stitch three layer, five layer carton, seven layer
 - The machine finally automatic counting stacking quantitative output.





SEMI-AUTO BOX STITCHING MACHINE

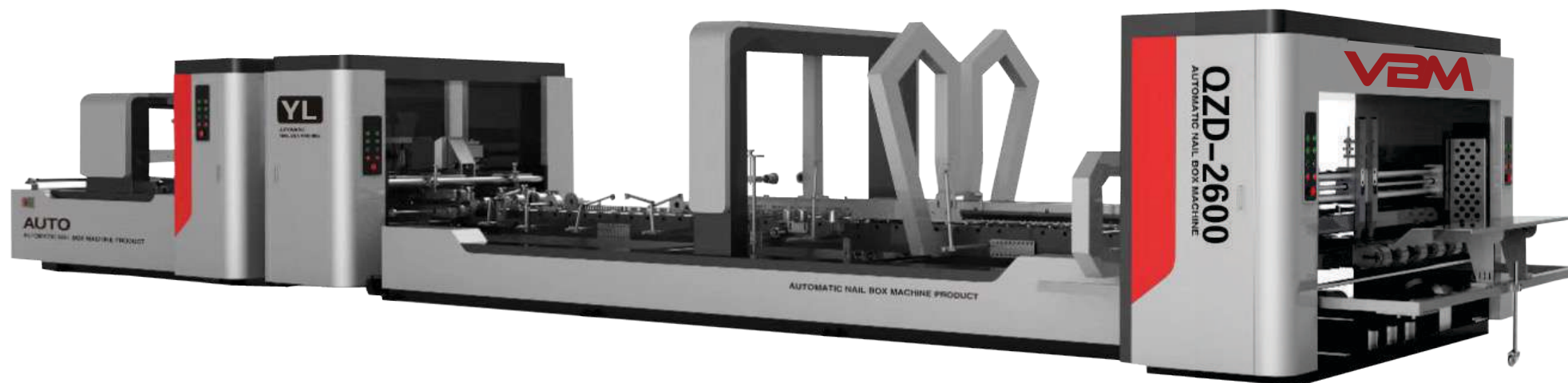
- Changing the size within one minute.
- Easy operation and no need of experience.
- The machine can staple single pin.
- Feeding department automatic counting & automatic bundling.
- Operation by the touch screen.
- The distance of pin can be set on screen directly.

FOUR SERVO SEMI-AUTO DOUBLE PC BOX STITCHING MACHINE

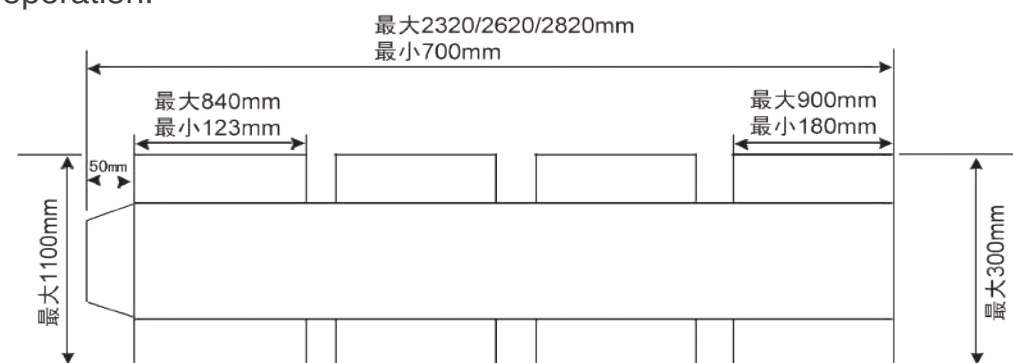
- TA dual purpose, can be nailed monolithic joint carton, double nail cartons, irregular cartons.
- Stitch can strengthen nails, nail single, double row nail, one time.
- Suitable for large carton, binding energy and fast.
- Adjusting screw pitch, use the computer setting automatic nail, nail spacing of 20-120mm arbitrary adjustable.
- For three, five, seven layer corrugated cardboard (seven layers need special instructions).



AUTOMATIC STITCHER GLUER COMBINE MODEL MACHINE



- Full automatic sticky box machine, composed of a paper feeding part, a folding part, nail box, packing and count output section.
- The four part. Variable frequency speed control, simple and reliable operation.
- Automatic folding, automatic counting, automatic stacking output.
- The automatic paper feeding, automatic gluing, automatic folding, automatic calibration, automatic counting, The automatic stacking. Frequency control, touch screen input data.
- A pair of scissors and wrinkles appear phenomenon can effectively overcome the traditional nail box carton bonding process, ensure the accuracy and quality of the nail box and visco box.
- Saves labor and increase work efficiency.






VBM

VIRDI BROTHERS MACHINERY PRIVATE LIMITED

JAGPREET SINGH VIRDI : +91 88793 34050 | TARANJIT SINGH VIRDI : +91 98339 64050.

✉ virdibrothermachinery@gmail.com  www.virdibrothermachinery.in

Office : 21, National Chemical Compound, Behind Laxmi Apt, Station Road, Vikhroli (w) - Mumbai 400 079

Factory : Indian Corporation Compound , Bldg No 182, Gala No 6, Near Bombay Steel Opp Gajanan Petrol
Pump, Mankoli Naka , Bhiwandi, Dapode, Thane, Maharashtra 421302



SCAN FOR MORE DETAILS



Due to Continuous Improvement, the design of machine can be changed without prior notice.